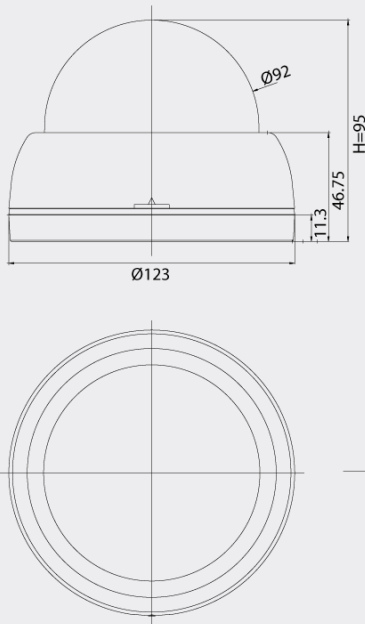




Features

- 1/3 inch 960H CCD
- Ultra High Resolution : 700 TV Lines
- Built in DC Iris Vari-focal Lens (f=2.8~10.5mm)
- TDN(ICR), DNR, OSD
- Min. Illumination : 0.01lux (B/W)
- Privacy Zone, Motion Detection
- Eclipse, Mirror Function
- 12VDC

DIMENSIONS



SPECIFICATIONS

Model	DBD-50VF	DBD-51VF
Signal System	NTSC	PAL
Scanning System	2:1 Interlace	
Scanning Frequency (H)	15.734 KHz	15.625 KHz
Scanning Frequency (V)	59.94 Hz	50 Hz
Image Sensor	1/3 Inch 960H CCD	
Total Pixels	1028(H) x 508(V) 520K	1028(H) x 596(V) 610K
Effective Pixels	976(H) x 494(V) 480K	976(H) x 582(V) 570K
Horizontal Resolution	700 TV Lines	
Video Output Level	1.0V p-p (75Ω Unbalanced, Composite)	
S/N Ratio	More than 50dB(AGC Off)	
Lens	DC Iris Vari-focal Lens (f=2.8~10.5mm)	
Day & Night Type	ICR(AGC type)	
Min.Illumination	0.05Lux(Color), 0.01Lux(B/W), F1.2, 30IRE	
OSD	7 Languages (English, Japanese, German, French, Russian, Portuguese, Spanish)	
White Balance	ATW, PUSH, USER1, USER2, ANTI CR, MANUAL, PUSH LOCK	
AGC	AUTO(OFF, 37dB), MANUAL(6.00dB ~ 44.80dB)	
BLC / HLC	On / Off	
DNR	Off / 2D	
Motion Detection	On / Off (4 Zone)	
Privacy Zone	On / Off (4 Zone)	
Mirror	On / Off	
Eclipse	On / Off	
Operating Temp. / Humidity	-10℃ ~ +50℃ / 30% ~ 80% RH	
Storage Temp. / Humidity	-20℃ ~ +60℃ / 20% ~ 90% RH	
Electronic Shutter Speed	1/60~1/10,000 Sec.	1/50~1/10,000sec.
Supplied Voltage	12VDC (-10%, +20%)	
Power Consumption	Max. 2W / 170mA	
Dimensions (ØxH)	123 x 95 mm	
Weight	Approx. 366g	