

DH-SD6A118/120/130-HN

1.3Mp HD Network IR PTZ Dome Camera



Features

- Powerful 18x/20x/30x optical zoom
- H.264 & MJPEG dual-stream encoding
- Max 60fps@720P and 30fps@1.3M resolution
- 120db WDR and Defog support(6A130), DWDR, Day/Night(ICR), Ultra DNR, Auto iris, Auto focus
- Multiple network monitoring: Web viewer, CMS(DSS/PSS) & DMSS
- Max 240°/s pan speed, 360° endless pan rotation
- Up to 255 presets, 5 auto scan, 8 tour, 5 pattern
- Built-in 7/2 alarm in/out
- Support intelligent 3D positioning with DH-SD protocol
- Micro SD memory, IP66
- IR Distance up to 150m

DH-SD6A118/120/130-HN

Technical Specifications

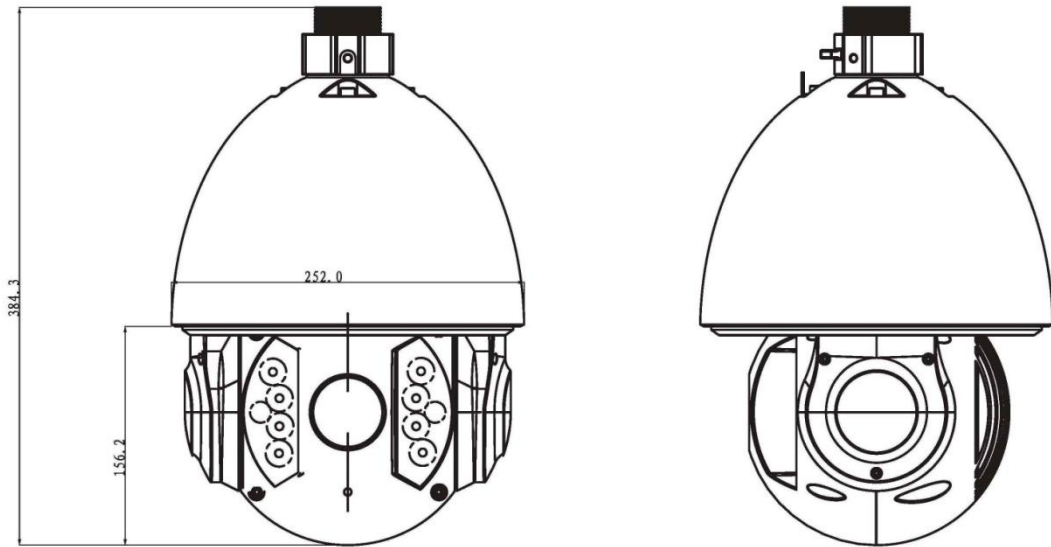
Model	DH-SD6A118-HN	DH-SD6A120-HN	DH-SD6A130-HN
Camera			
Image Sensor	1/3" CCD	1/3" Exmor CMOS	
Effective Pixels	1280(H) x 960(V)		
Scanning System	Progressive		
Electronic Shutter Speed	1/3(4) ~ 1/10,000s	1/1 ~ 1/30,000s	
Min. Illumination	Color: 0.1Lux@F1.6; B/W: 0.01Lux@F1.6	Color: 0.05Lux@F1.4; B/W: 0.005Lux@F1.4	Color: 0.05Lux@F1.6; B/W: 0.005Lux@F1.6
S/N Ratio	More than 50dB		
Video Output	BNC(1.0Vp-p/75Ω), PAL / NTSC		
Camera Features			
Day/Night	Auto(ICR) / Color / B/W		
Backlight Compensation	BLC / HLC / DWDR (Digital WDR)		BLC / HLC / WDR (120db)
White Balance	Auto, ATW, Indoor, Outdoor, Manual		
Gain Control	Auto / Manual		
Noise Reduction	Ultra DNR (2D/3D)		
Privacy Masking	Up to 24 areas		
Digital Zoom	16x		
Defog	N.A.		On / Off
Lens			
Focal Length	4.7mm~84.6mm(18x Optical zoom)	4.7mm~94mm(20x Optical zoom)	4.3mm ~129mm(30x Optical zoom)
Max Aperture	F1.6 ~ F2.7	F1.4 ~ F2.6	F1.6 ~ F5.0
Focus Control	Auto / Manual		
Angle of View	H: 55.2° ~ 3.2°	H: 56.8° ~ 3.1°	H: 65.1° ~ 2.34°
Close Focus Distance	100mm~1500mm	100mm~ 1000mm	
PTZ			
Pan/Tilt Range	Pan: 0° ~ 360° endless; Tilt: -10° ~ 90°, auto flip 180°		
Manual Control Speed	Pan: 0.1° ~ 200° /s; Tilt: 0.1° ~ 120° /s		
Preset Speed	Pan: 240° /s; Tilt: 200° /s		
Preset	80(DH-SD), 255(Pelco-P/D)		
PTZ Mode	5 Pattern, 8 Tour, Auto Pan, Auto Scan		
Speed Setup	Human-oriented focal length/ speed adaptation		
Power up Action	Auto restore to previous PTZ and lens status after power failure		
Idle Motion	Activate Preset/ Pan/ Scan/ Tour/ Pattern if there is no command in the specified period		
Time Task	Auto activation of Preset/ Pan/ Scan/ Tour/ Pattern by preset-time		
Protocol	DH-SD, Pelco-P/D (Auto recognition)		
IR Distance	150m (2 near IR LED+ 8 far IR LED)		

DH-SD6A118/120/130-HN

Video			
Compression		H.264 / MJPEG	
Resolution		1.3M(1280×960) / 720P(1280×720) / D1(704×576/ 704×480) /CIF (352×288/352×240)	
Frame Rate	Main Stream	1.3M(1~15fps), 720P (1~25/30fps)	1.3M(1~25/30fps), 720P (1~50/60fps)
	Sub Stream	D1/CIF(1 ~ 25/30fps)	
Bit Rate		H.264: 56K ~ 8192Kbps, MJPEG: 56K ~ 20480Kbps	
Audio			
Compression		G.711a / G.711u(32kbps)/ PCM(128kbps)	
Interface		1/1 channel In/Out	
Network			
Ethernet		RJ-45 (10/100Base-T)	
Protocol		IPv4/ IPv6, HTTP, HTTPS, SSL, TCP/IP, UDP, UPnP, ICMP, IGMP, SNMP, RTSP, RTP, SMTP, NTP, DHCP, DNS, PPPOE, DDNS, FTP, IP Filter, QoS, Bonjour, 802.1x	
ONVIF		ONVIF Profile S	
Max. User Access		20 users	
Smart Phone		iPhone, iPad, Android, Windows Phone	
Auxiliary Interface			
Memory Slot		Micro SD, Max 64GB	
RS485		1	
Alarm		7/2 channel In/Out	
General			
Power Supply		AC 24V/3A (±16%)	
Power Consumption		20W, 43W (IR on, Heater on)	
Working Environment		-40°C ~ 70°C / Less than 90% RH	
Ingress Protection		IP66	
Vandal Resistance		4000V anti-lightning surge	
Dimensions		Φ252(mm) x 384.3 (mm)	
Weight		6.75kg	

DH-SD6A118/120/130-HN

Dimensions (mm)



Accessories

	
DH-69FB	Power Supply

DH-SD6A118/120/130-HN

Accessories (Optional)

						
C6 Adapter	DH-65FD	DH-65FD200	DH-987FS	PFA120	DH-65FQ	DH-65FW

Dahua Technology Co., Ltd.

1187 BinAn Road, Binjiang District, Hangzhou, China

Tel: +86-571-87688883

Fax: +86-571-87688815

Email: overseas@dahuatech.com

www.dahuasecurity.com

*Design and specifications are subject to change without notice.

© 2013 Dahua Technology